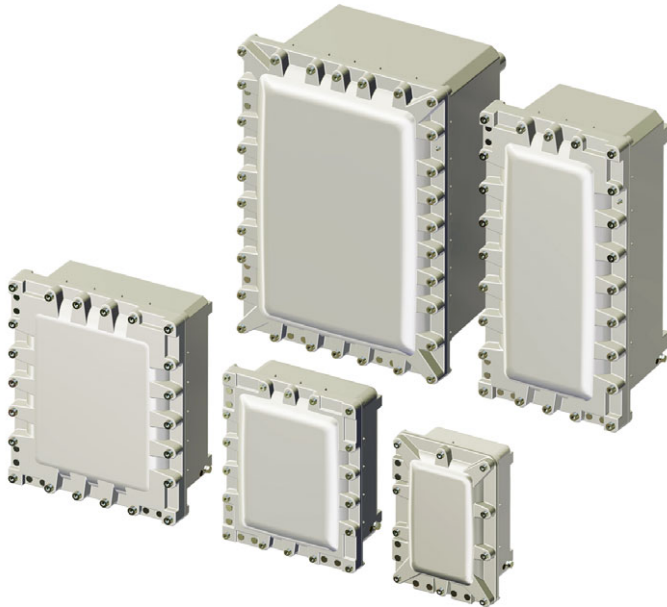


Empty Enclosure Series 8250/0



- > Cost-effective single enclosure
- > Light-weight construction
- > Low temperature range from -60 to +70 °C (IIB)
- > Retrofittable hinges
- > Seawater-resistant aluminium
- > Captive screws

E3



16087E00

The enclosure is used to build motor control units, control boxes and terminal boxes with type of protection Ex d. It is suitable for the installation of customer-specific control panels. The enclosure allows installation and operation of arcing equipment in Zones 1, 2, 21 and 22.

For direct cable entry into the enclosures, flameproof cable glands with type of protection Ex d or threaded holes for conduit connection can be applied.



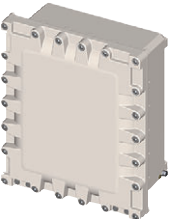
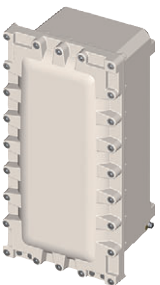
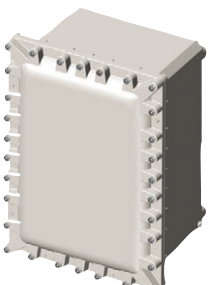
Zone	ATEX / IECEx					
	0	1	2	20	21	22
For use in		x	x		x	x

WebCode 8250A

Empty Enclosure

Series 8250/0

Selection Table

Version	Description	Order number	Weight kg
 <p>19593E00</p> <p>Enclosure size 1</p>	Empty enclosure without drilled holes and without hinges, including as part of an installation kit	8250/0-0250-0150-110-320031	8.220
 <p>19594E00</p> <p>Enclosure size 2</p>	Empty enclosure without drilled holes and without hinges, including as part of an installation kit	8250/0-0300-0230-125-320031	12.650
 <p>19595E00</p> <p>Enclosure size 3</p>	Empty enclosure without drilled holes and without hinges, including as part of an installation kit	8250/0-0370-0300-160-320031	19.250
 <p>19596E00</p> <p>Enclosure size 4</p>	Empty enclosure without drilled holes and without hinges, including as part of an installation kit	8250/0-0540-0230-230-320031	30.000
 <p>19436E00</p> <p>Enclosure size 5</p>	Empty enclosure without drilled holes and without hinges, including as part of an installation kit	8250/0-0540-0360-300-320031	50.000

Empty Enclosure Series 8250/0



Explosion Protection

Global (IECEX)	
Gas and dust	IECEX BVS 13.0067U Ex db IIB Gb Ex db IIB + H2 Gb Ex tb IIIC Db
Europe (ATEX)	
Gas and dust	BVS 13 ATEX E057U Ⓜ II 2 G Ex db IIB Gb Ⓜ II 2 G Ex db IIB + H2 Gb Ⓜ II 2 D Ex tb IIIC Db
Certifications and certificates	
Certificates	IECEX, ATEX, Kazakhstan (TR), Russia (TR), Belarus (TR)

Technical Data

Electrical data

Protective conductor connection
Inside/outside of the enclosure (threaded holes),
M8 threaded bolt
Tightening torque: 12 Nm

Power dissipation and temperature class

8250/. Size 1

Ambient temperature	Standard paintwork			Unpainted		
	T6 [W]	T5 [W]	T4 [W]	T6 [W]	T5 [W]	T4 [W]
40 °C	89	133	244	75	113	211
50 °C	63	104	211	52	87	181
60 °C	38	76	179	31	63	153
70 °C	16	50	148	13	41	126

8250/. Size 2

Ambient temperature	Standard paintwork			Unpainted		
	T6 [W]	T5 [W]	T4 [W]	T6 [W]	T5 [W]	T4 [W]
40 °C	123	187	356	102	153	289
50 °C	84	143	305	70	119	249
60 °C	49	103	256	42	86	209
70 °C	20	66	209	17	55	172

8250/. Size 3

Ambient temperature	Standard paintwork			Unpainted		
	T6 [W]	T5 [W]	T4 [W]	T6 [W]	T5 [W]	T4 [W]
40 °C	178	244	484	143	196	429
50 °C	134	200	430	107	161	381
60 °C	89	156	376	71	125	333
70 °C	45	111	323	36	89	286

8250/. Size 4

Ambient temperature	Standard paintwork			Unpainted		
	T6 [W]	T5 [W]	T4 [W]	T6 [W]	T5 [W]	T4 [W]
40 °C	222	306	592	182	250	500
50 °C	167	250	526	136	205	444
60 °C	111	194	461	91	159	389
70 °C	56	139	395	45	114	333

8250/. Size 5

Ambient temperature	Standard paintwork			Unpainted		
	T6 [W]	T5 [W]	T4 [W]	T6 [W]	T5 [W]	T4 [W]
40 °C	347	512	934	249	377	714
50 °C	244	401	809	171	290	613
60 °C	149	295	687	101	209	515
70 °C	64	196	569	41	135	422

E3

Empty Enclosure

Series 8250/0

Technical Data

Ambient conditions

Ambient temperature range	-60 to +70 °C (for IIB) -60 to +60 °C (for IIB + H2)
Storage temperature	-60 to +80 °C
Service temperature of the enclosure material	AlSi7Mg0.3 and LM25: Max. 130 °C, LM6: Max. 200 °C
Relative humidity (no condensation)	≤ 95 % (8250/0)
Use at the height of	< 2000 m (others on request)

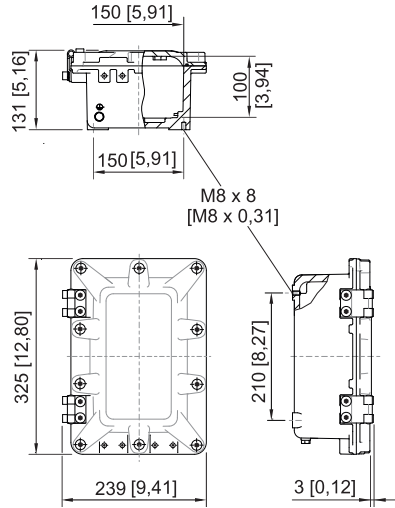
Mechanical data

Enclosure material	AlSi7Mg0.3; painted/unpainted; LM6, LM25 painted and unpainted	
Degree of protection	IP65, IP66 in accordance with IEC/EN 60529 with additional silicone O-ring	
Cover lock	M8 stainless steel hexagon socket head bolts; tightening torque M8 = 16 Nm, M10 = 20 Nm	
Hinges	Optionally with cover hinges, enclosure cover opening angle > 180°	
Wall mounting	Using wall-mounting rail (accessory) or directly in the enclosure base; tightening torque: M8 = 16 Nm, M10 = 20 Nm	
Weight	Empty enclosure type	Weight of lower enclosure part [kg]
		Weight of enclosure cover [kg]
	8250/. Size 1	4.52
	8250/. Size 2	7.2
	8250/. Size 3	11.31
	8250/. Size 4	19.44
	8250/. Size 5	32.72

Empty Enclosure Series 8250/0

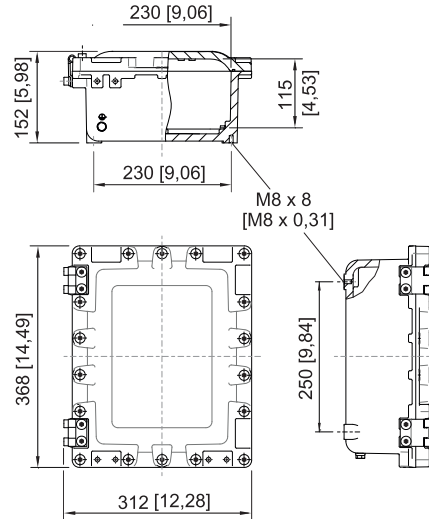


Dimensional drawings (all dimensions in mm [inches]) – Subject to modification



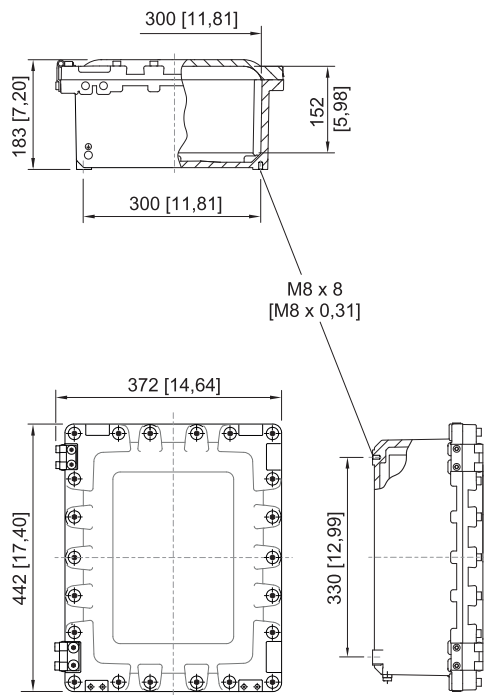
16090E00

8250/0-0250-0150-110-..21..
Size 1



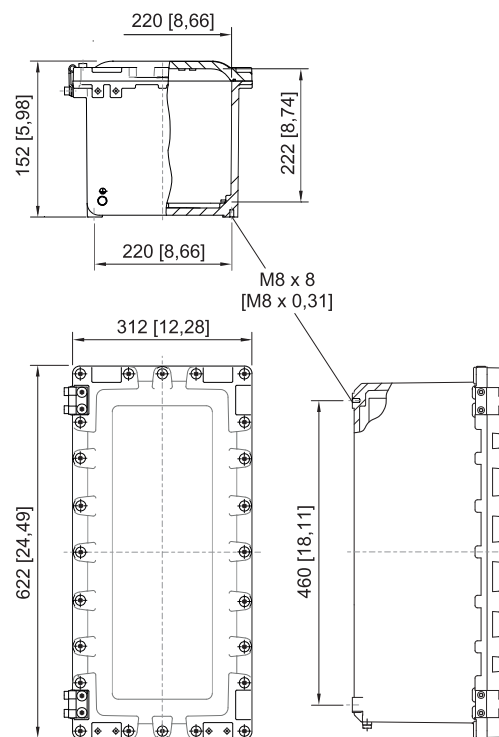
16091E00

8250/0-0300-0230-125-..21..
Size 2



17745E00

8250/0-0370-0300-160-..21..
Size 3



17746E00

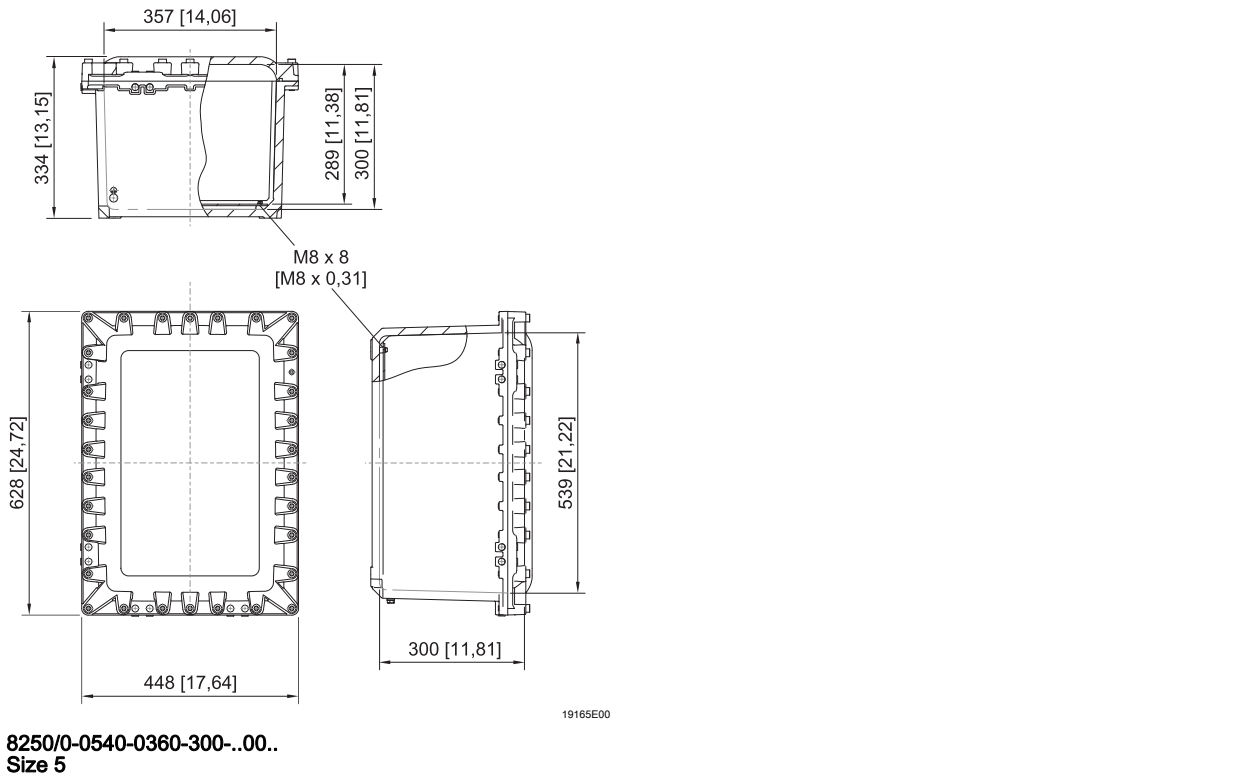
8250/0-0540-0230-230-..21..
Size 4

E3

Empty Enclosure

Series 8250/0

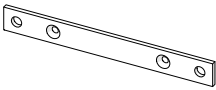
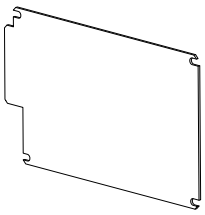
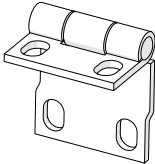
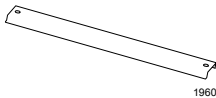
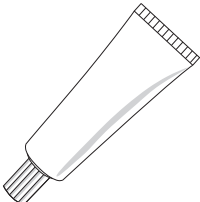
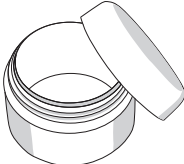

Dimensional drawings (all dimensions in mm [inches]) – Subject to modification



Empty Enclosure Series 8250/0



Accessories and Spare Parts

Designation	Figure	Description	Art. no.	Weight kg
Wall mounting	 19602E00	Wall-mounting rail for 8250, size 1	224231	0.900
		Wall-mounting rail for 8250, size 2	224232	1.130
		Wall-mounting rail for 8250, size 3	225912	1.150
		Wall-mounting rail for 8250, size 4	225911	1.400
		Wall-mounting rail for 8250, size 5	225913	1.500
Mounting plate	 19601E00	Mounting plate for 8250, size 1	224226	0.700
		Mounting plate for 8250, size 2	224227	0.900
		Mounting plate for 8250, size 3	225906	1.750
		Mounting plate for 8250, size 4	225907	2.460
		Mounting plate for 8250, size 5	225908	3.900
Hinge	 19600E00	Hinge for 8250, size 1 to 5	223544	0.130
DIN profile rail 35 x 7 mm	 19603E00	Mounting rail for 8250, size 1	224228	0.150
		Mounting rail for 8250, size 2	224229	0.110
		Mounting rail for 8250, size 3	225909	0.130
		Mounting rail for 8250, size 4 + size 5	225910	0.180
Glue	 19598E00	For gluing the O-ring in place	230351	0.020
Grease	 19599E00	Special grease BLASOLUBE 300; 1 tin	105077	0.900
Locating pin	 19604E00	For enclosure size 4 and 5	204106	0.013

We reserve the right to make alterations to the technical data, dimensions, weights, designs and products available without notice. The illustrations cannot be considered binding.

E3